



Cart 中文

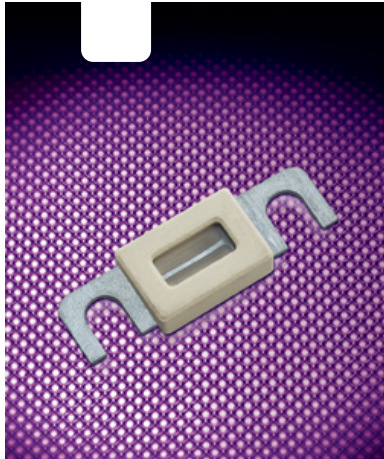
Home About Us News Products Certificate Services Contact

MIN ING

Professional manufacturer for High & Low Voltage Fuses and Fusegears Combined Electrical Appliance

Product Center

>> Home / Product Center / Automotive fuses



Parameter Feature Outline Curve

Table 16 (cont.)

Cat. No.	Models	Name	Rated voltage (V)	Rated current (A)	Dimensions/sizes (mm) Fig.	Weight (g)
1617	RQD-1	Fuse links base	AC220	800	See Figure 16.4	

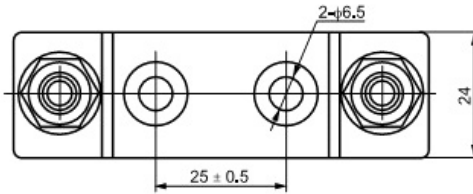
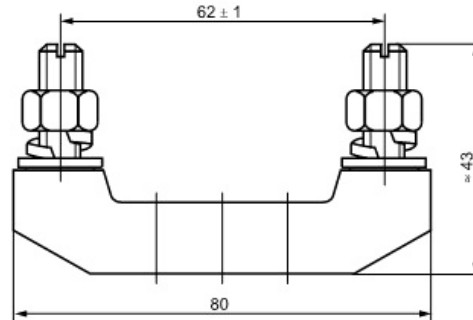


Figure 16.4

**INQUIRY**  
400-800-9662

About Mingrong

- Company Profile
- Development
- Organization
- President address

News and media

- Company news
- Enterprise video
- Exhibition information

Products and Services

- Fuse links
- Bole connected fuse links
- Fuse bases
- Fuse alarms
- Fuse carriers
- Combinating electric of fuse
- Automobile Fuse
- High voltage fuse

Support

- Customer Service Center
- Customer complaints
- Marketing network
- Technical FAQ
- Download

Jobs

- Talent concept
- Recruitment information
- Recruitment line

Contact Us

- Regions
- Contact
- Sitemap

